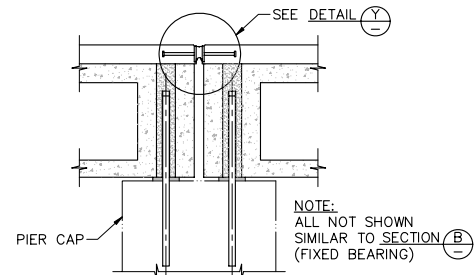
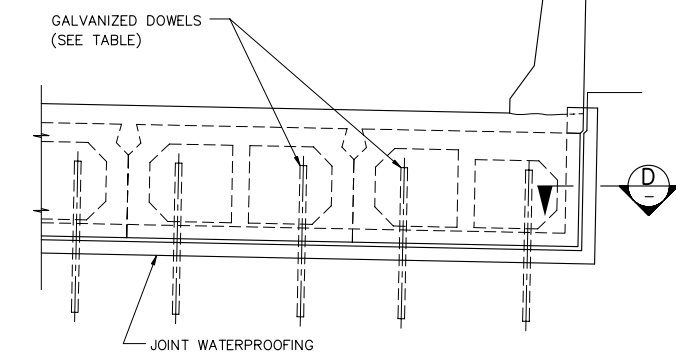


PLAN  
SCALE 1:100  
(SINGLE SPAN SHOWN)

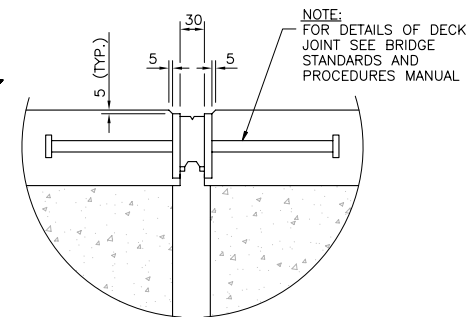
DOWELS		
BOX	LENGTH	EMBEDMENT
Mk. 500	800	500
Mk. 600	900	500
Mk. 700	1 000	500



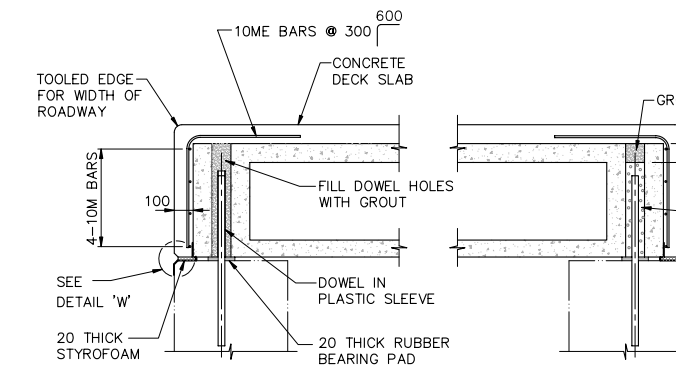
TYPICAL SECTION AT DECK JOINT  
(MULTIPLE SPANS ONLY)  
SCALE 1:20



SECTION (A)  
SCALE 1:20



DETAIL (Y)  
SCALE 1:5

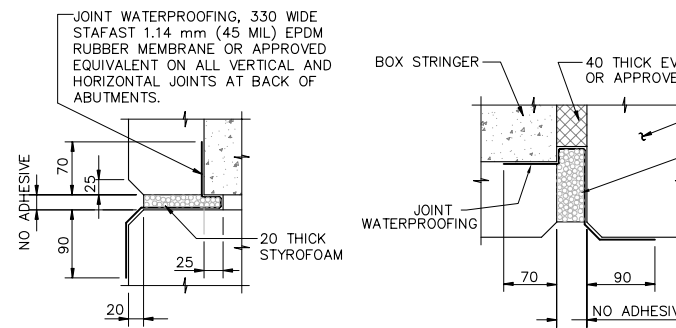


SECTION (B)  
SCALE 1:20

FIXED BEARING

SECTION (C)  
SCALE 1:20

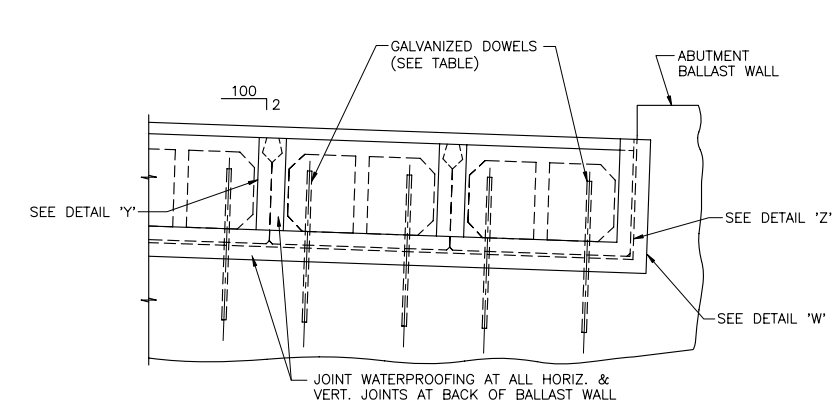
EXPANSION BEARING



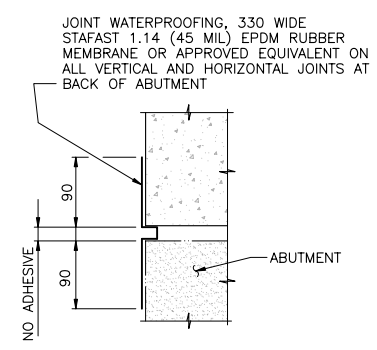
DETAIL (W)  
SCALE 1:5

SECTION (D)  
SCALE 1:5

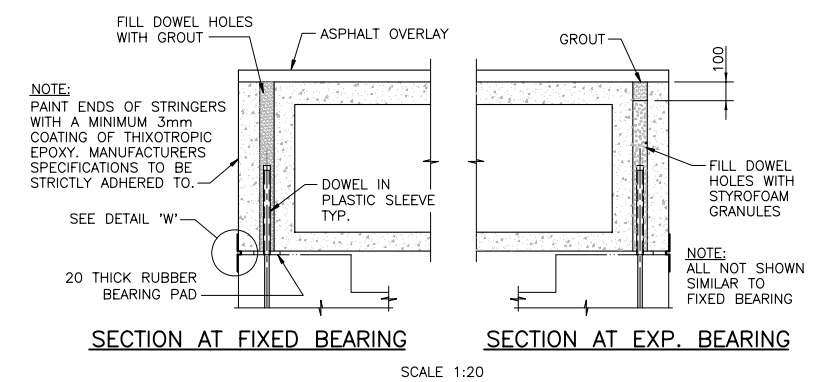
REFERENCE DETAILS FOR BOX STRINGERS WITH CONCRETE OVERLAY



TYPICAL VIEW AT BACK OF BALLAST WALL  
SCALE 1:25



DETAIL (W)  
SCALE 1:5

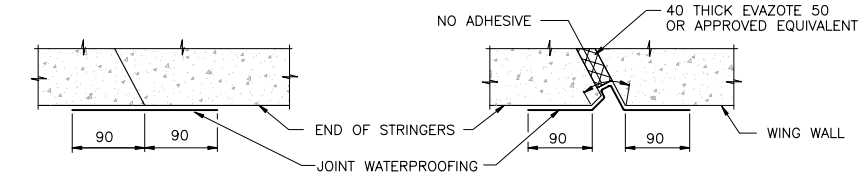


SECTION AT FIXED BEARING

SECTION AT EXP. BEARING

SCALE 1:20

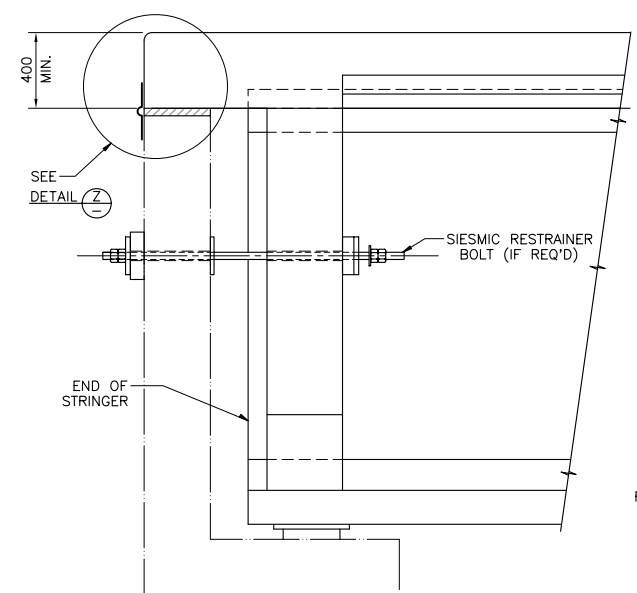
DOWELS		
BOX	LENGTH	EMBEDMENT
Mk. 500	800	500
Mk. 600	900	500
Mk. 700	1 000	500



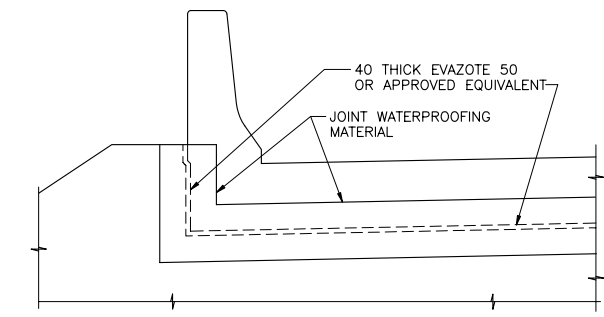
DETAIL (Y)  
SCALE 1:5

DETAIL (Z)  
SCALE 1:5

REFERENCE DETAILS FOR BOX STRINGERS WITH ASPHALT OVERLAY

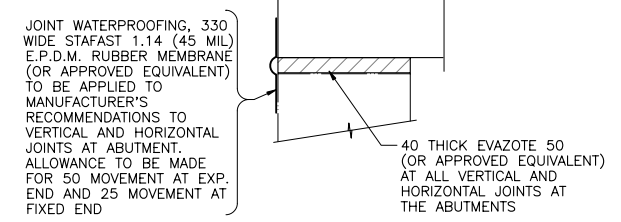


TYPICAL SECTION THROUGH END DIAPHRAGM



TYPICAL VIEW AT BACK OF BALLAST WALL  
SCALE 1:20

REFERENCE DETAILS FOR PUSH THROUGH DECK



DETAIL (Z)  
SCALE 1:10

Rev	Date	Description	Init
A	MAR 8/95	UPDATED	RYC
B	MAR 07	GENERAL REVISIONS	WHK

REVISIONS



REFERENCE DETAILS

PREPARED UNDER THE DIRECTION OF	DESIGNED _____ DATE _____
ENGINEER OF RECORD CHIEF BRIDGE ENGINEER	CHECKED _____ DATE _____
DATE _____	DRAWN _____ DATE _____
FILE No. _____	PROJECT No. _____
REG. _____	SCALE AS NOTED
	NEGATIVE No. _____
	DRAWING No. <b>D206</b>