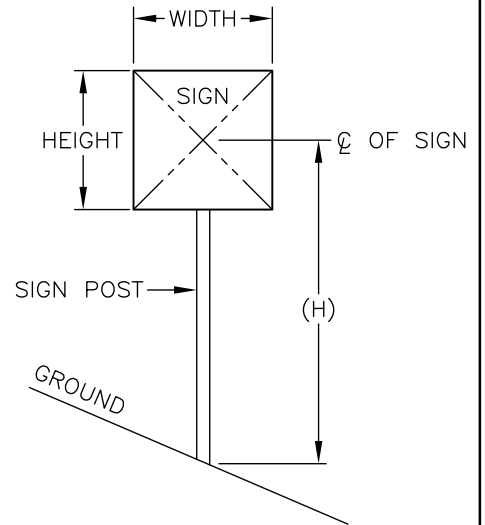
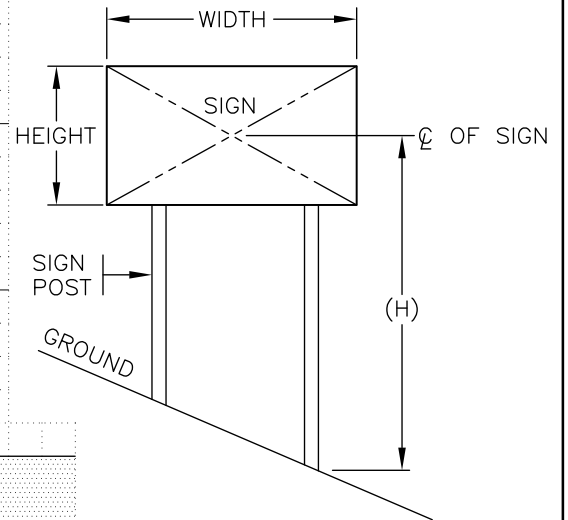


(P) = WIND PRESSURE
IN PASCALS



1 POST STRUCTURE



2 POST STRUCTURE

ELEVATIONS

(H) = HEIGHT FROM THE GROUND
TO THE CENTRE OF THE
SIGN FOR THE LONGEST POST

SEE DRAWINGS 500.3-5.1 & 500.3-5.2 FOR
PROVINCIAL WIND PRESSURE TABLES.
(USE 1 IN 10 YEAR WIND PRESSURE)



Province of
British Columbia

Ministry of
Transportation
and Highways

NOT TO SCALE

No.	Revision	Date	2 1/4" O.D. PERFORATED SQUARE GALVANIZED STEEL SIGN STRUCTURE LOADING TABLE
F			
E			
D			
C			
B			Date Approved 18/11/94 E.L. (Signature on File) Chief Highway Engineer
A	PREVIOUSLY IN CONSTRUCTION STANDARDS	SEPT96	DRAWING No. 500.3-3.4