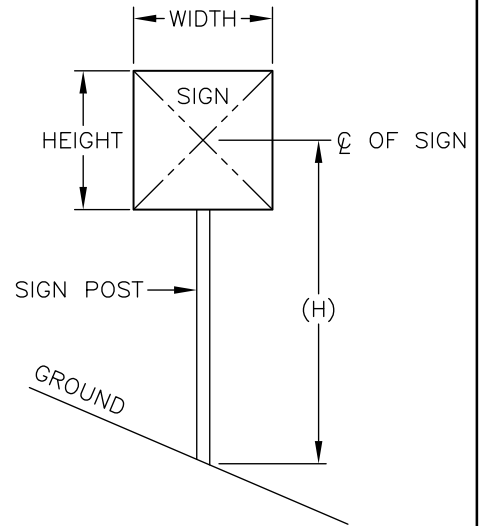
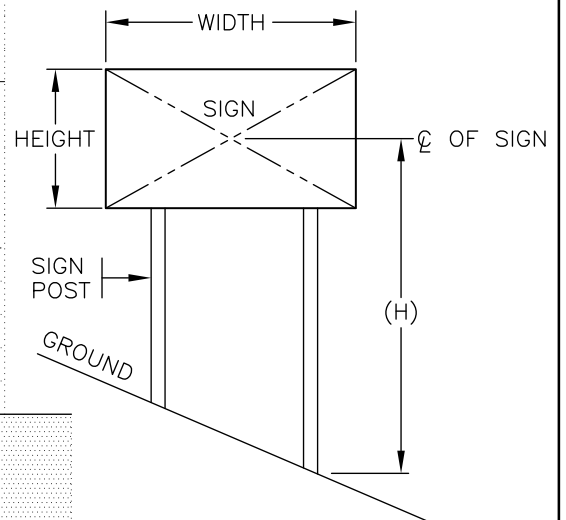


(P) = WIND PRESSURE
IN PASCALS



1 POST STRUCTURE



2 POST STRUCTURE

ELEVATIONS

SEE DRAWINGS 500.3-5.1 & 500.3-5.2 FOR
PROVINCIAL WIND PRESSURE TABLES.
(USE 1 IN 10 YEAR WIND PRESSURE)

(H) = HEIGHT FROM THE GROUND
TO THE CENTRE OF THE
SIGN FOR THE LONGEST POST.



**Province of
British Columbia**

Ministry of
Transportation
and Highways

NOT TO SCALE

No.	Revision	Date
F		
E		
D		
C		
B		
A	PREVIOUSLY IN CONSTRUCTION STANDARDS	SEPT96

**2"O.D. PERFORATED SQUARE GALVANIZED
STEEL SIGN STRUCTURE LOADING TABLE**

Date Approved
18/11/94 E.L. (Signature on File)
Chief Highway Engineer

DRAWING No.
500.3-3.3