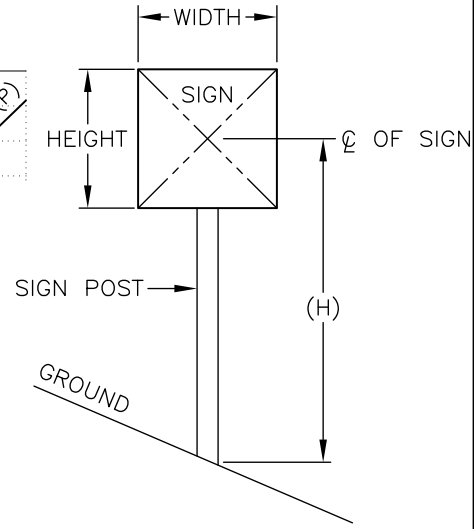
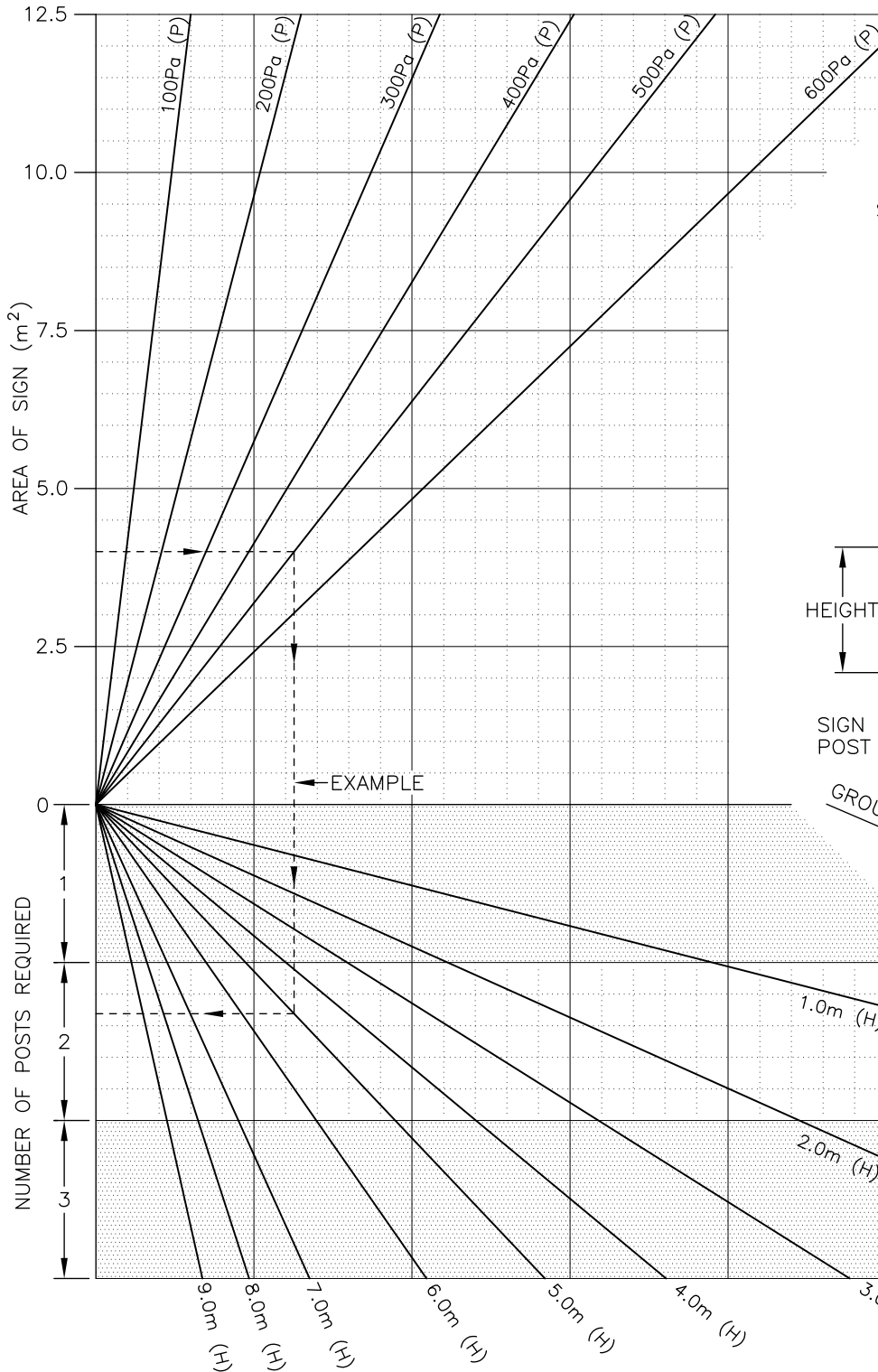
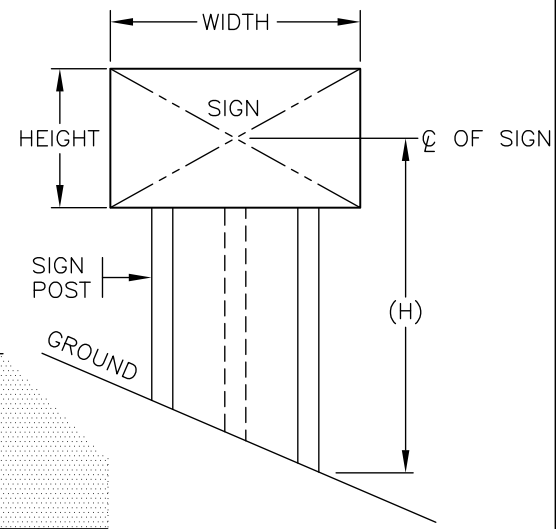


(P) = WIND PRESSURE
IN PASCALS



1 POST STRUCTURE



2 POST STRUCTURE

ELEVATIONS

WHERE (H) EXCEEDS 9.0m
CONTACT THE MINISTRY
BRIDGE BRANCH

(H) = HEIGHT FROM THE GROUND
TO THE CENTRE OF THE
SIGN FOR THE LONGEST POST.

SEE DRAWINGS 500.3-5.1 & 500.3-5.2 FOR
PROVINCIAL WIND PRESSURE TABLES.
(USE 1 IN 10 YEAR WIND PRESSURE)



**Province of
British Columbia**

Ministry of
Transportation
and Highways

NOT TO SCALE

**10" WOOD POST SIGN
LOADING TABLE**

No.	Revision	Date
F		
E		
D		
C		
B		
A	PREVIOUSLY IN CONSTRUCTION STANDARDS	SEPT96

Date Approved
18/11/94 E.L. (Signature on File)
Chief Highway Engineer

DRAWING No.
500.3-2.3