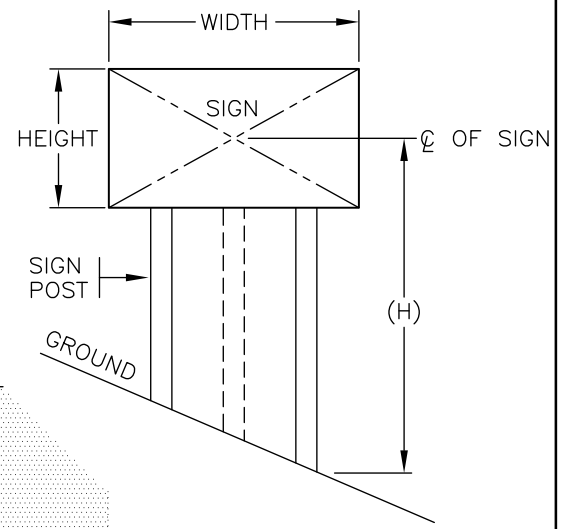


1 POST STRUCTURE



2 OR 3 POST STRUCTURE

ELEVATIONS

WHERE (H) EXCEEDS 9.0m  
CONTACT THE MINISTRY  
BRIDGE BRANCH

(H) = HEIGHT FROM THE GROUND  
TO THE CENTRE OF THE  
SIGN FOR THE LONGEST POST.

SEE DRAWINGS 500.3-5.1 & 500.3-5.2 FOR  
PROVINCIAL WIND PRESSURE TABLES.  
(USE 1 IN 10 YEAR WIND PRESSURE)



**Province of  
British Columbia**

Ministry of  
Transportation  
and Highways

NOT TO SCALE

8" WOOD POST SIGN  
LOADING TABLE

No.	Revision	Date
F		
E		
D		
C		
B		
A	PREVIOUSLY IN CONSTRUCTION STANDARDS	SEPT96

Date Approved  
**18/11/94** **E.L. (Signature on File)**  
Chief Highway Engineer

DRAWING No.  
**500.3-2.2**