



SUBJECT: Tandem steer/tridem drive picker trucks to be allowed shorter wheelbases and wider tridem axle spreads

Managers, Victoria
Regional CVSE Managers
Area Vehicle Inspectors
Deputy Director, CVSE
ADM, Highways Department

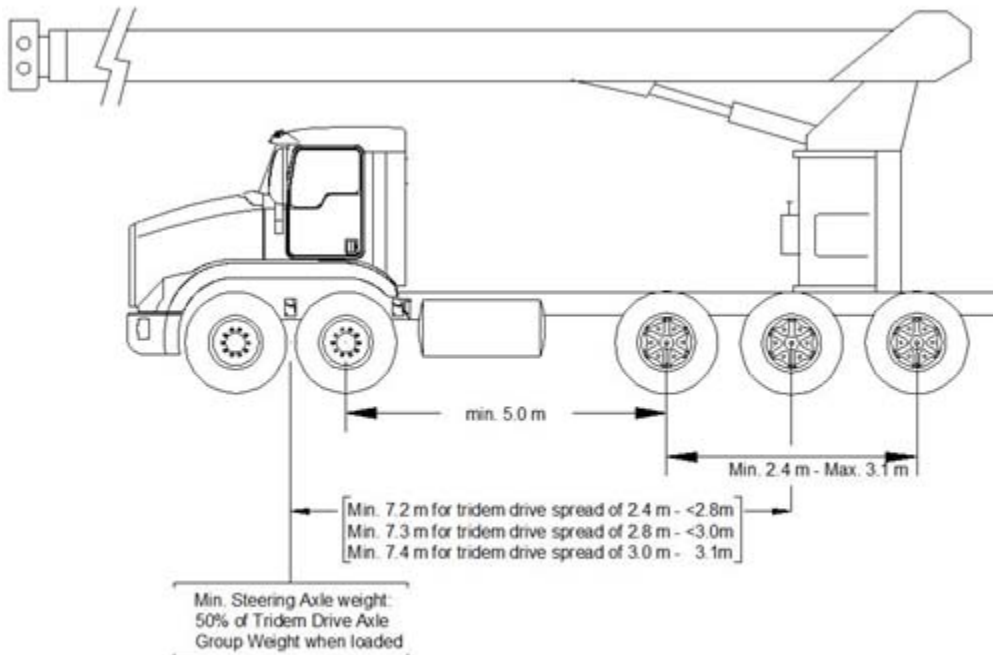
Passenger Transportation Board
Passenger Transportation Branch
Carrier Safety Inspectors
Government Agents
Law Enforcement Agencies

Commercial Transport Insp.
(Inspection Stations)
ICBC
Trucking Industry

PURPOSE OF CIRCULAR

Effective immediately, tandem steer/tridem drive picker trucks will be allowed to operate under permit with shorter wheelbases and longer tridem drive axle group spreads than those allowed under Appendix B of the British Columbia Commercial Transport Regulations. Section 5.3.9 of the Commercial Transport Procedures Manual will be amended accordingly.

New dimensional limits under permit:



** All other conditions as shown under Appendix B of the Commercial Transport Regulations **

BACKGROUND

Industry operators approached CVSE requesting changes to our regulations or permit policy for tandem steer/tridem drive picker trucks, so that new and existing picker trucks in Alberta can operate in British Columbia. A review was undertaken.

Differences considered in this review were:

	Previous BC	Current Alberta
Minimum wheelbase (WB)	7.7 m	7.2 m
Maximum tridem drive axle spread	3.0 m (with WB \geq 7.8 m)	3.1 m (with WB \geq 7.4 m)
Minimum weight on tandem steer axles	40% of drives loaded	50% of drives at all times
Maximum legal weight on tridem drive axles	24 000 kg	23 000 - 24 000 kg ¹

¹Varies depending on wheelbase and spread

APPLICATION

In order to provide greater operation efficiency and permit condition alignments between British Columbia and Alberta, British Columbia will amend s 5.3.9 of the Commercial Transport Procedures Manual. The new tandem steer/tridem drive picker truck allowances are aligned to the information for Alberta in the above table, with the exception of the maximum legal weight on a tridem drive axle group: British Columbia allows 24 000 kg for tridem drive axle spreads without a weight permit.

CVSE has also completed a vehicle safety review on the new proposal covering the overload permit condition of having a maximum of 28 000 kg on the tridem drive axle group and found the new permitted picker truck has adequate and safe performance.

Note that no trailers will be allowed to be towed by picker trucks operating under these reduced wheelbase permits (minimum WB 7.7 m in order to tow trailers.)

The above changes are made under the authorization to issue Commercial Transport permits as per s. 7.02 of the CTR.

For information about this notice, please contact Jeffrey Monty, Manager Commercial Transport at 250-953-4017 or by email at Jeff.Monty@gov.bc.ca



Brian Murray
Director, Commercial Vehicle Safety and Enforcement Branch
Ministry of Transportation & Infrastructure